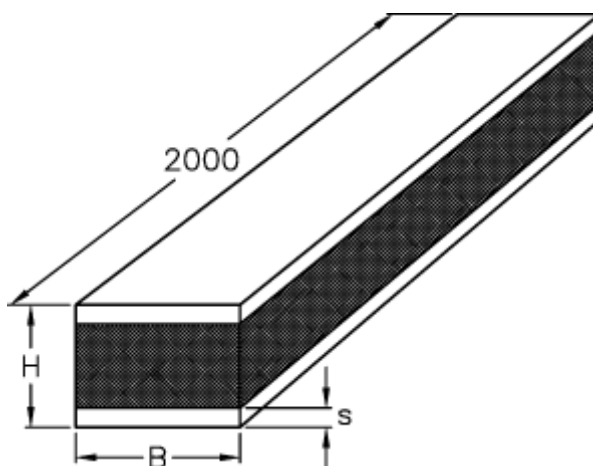


Article number: 51030467000010

Description: Vibration damper GS-M2  
100x70x2000-15, NR shore 57

## Measures

---



B = 100  
H = 70  
S = 15